



PANEL LIGHT BARS

Bulletin 855L – Panel Light Bars

Build a Catalog Number

- Low voltage potential in panel
- No transformer required
- Low weight due to absence of heavy ballast
- No electrical noise unlike fluorescent fixtures
- Low heat output
- Long LED life unlike fluorescent lights
- Energy savings, minimum impact on power supply size
- Ideal for environments with high shock and vibration
- Solid light without flicker
- No need to ship separate components once the panel is assembled
- No glass or hazardous waste



Cat. No. 855L-NX1



Cat. No. 855L-NX2

Standards Compliance and Certifications

Standards Compliance

EN61000-6-2

EN61000-6-3

EN60947-5-1

Certifications

CE Marked

Product Selection

Build a Catalog Number

	Description	Supply Voltage	Cat. No.
	With On/Off switch	24...48V AC/DC	855L-NX1

		110/120...230/240V AC/DC	855L-NX3
	Without On/Off switch	24...48V AC/DC	855L-NX2
		110/120...230/240V AC/DC	855L-NX4

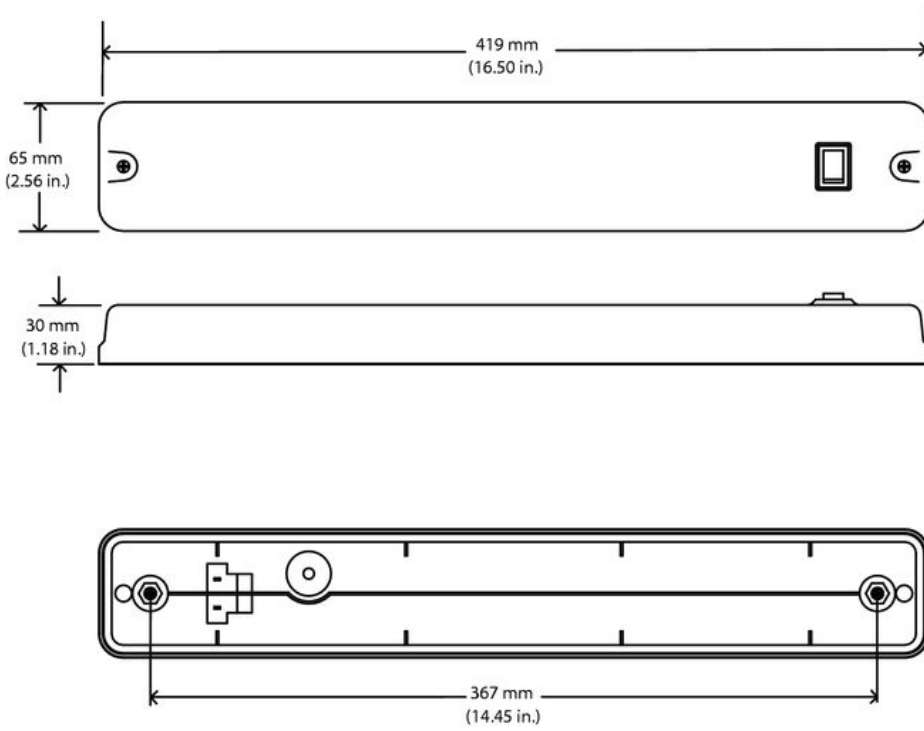
Specifications

	855L-NX1 (24...48V with ON/OFF switch) 855L-NX2 (24...48V - no switch)	855L-NX3 (110...240V with ON/OFF switch) 855L-NX4 (110...240V - no switch)
Nominal Input Voltage	24...48V AC/DC 50/60 Hz	110...240V AC/DC 50/60 Hz
Input Voltage Limits	17...63V DC 17...53V AC 50/60 Hz	90...320V DC 90...250V AC 50/60 Hz
Nominal Current	~300 mA @ 24V DC/ ~150 mA @ 48V DC	~60 mA @ 120V AC/ ~50 mA @ 240V AC
Inrush Current	~4 A @ 48V DC, +25 °C	~1.6 A @ 120V AC/ ~3.2 A @ 240V AC
Leakage Current Immunity	>8 mA DC	>3 mA DC
Ingress Protection	855L-NX1: NEMA 1, IP40 855L-NX2: NEMA 1, IP44	855L-NX3: NEMA 1, IP40 855L-NX4: NEMA 1, IP44
Operating Temperature Range	-31...+122 °F (-35...+50 °C)	
Storage Temperature Range	-31...+185 °F (-35...+85 °C)	
Wire Size	22...14 AWG (0.5...2.5 mm ²)	
Light Beam Angle	~70°	
LED Color	White	
Light Output	≥300 lumens	
Lens Material	Polycarbonate (clear)	
Base Material	Polycarbonate (light grey)	
Mounting Orientation	No restrictions	
Mounting Screws★	2 X 1/4 in. (M5/ M6)	
Weight	<1 lb (380 g)	
Standards Compliance	EN61000-6-2, EN61000-6-3, EN60947-5-1	
Certifications	CE Marked	
LED MTFB	100 000 hr	

★ Not provided.

Approximate Dimensions

Dimensions in millimeters (inches). Dimensions are not intended to be used for manufacturing purposes.



Copyright © 2011 Rockwell Automation, Inc. All Rights Reserved.